

Toggle Clamps

Steel, Operating Lever Vertical, with Horizontal Mounting Base, Heavy Duty Type „Longlife“

SPECIFICATION

Types

- Type **A**: Clamping arm with slotted hole (only sizes 220 and 440)
- Type **E**: Clamping arm with bushing

Clamping arm steel

- Precision casting
- Blackened

Lever arm steel

- Forged
- Blackened

Parts in sheet metal case-hardened steel
Blackened

Bearing pins and rivets steel
hardened and ground

All moving parts

Lubricated with special grease

Solid designed plastic handle
Red, oil resistant



INFORMATION

Toggle clamps "Longlife" GN 810.10 are an advance development of GN 810 (see page 1562). The steel sheet design of the clamp and lever arms is replaced by precision or die-forged components. The remaining steel sheet parts have been reinforced, bearing pins and rivets are hardened and ground.

These toggle clamps are therefore suitable for applications in which substantial forces occur and in which a long service life is required.

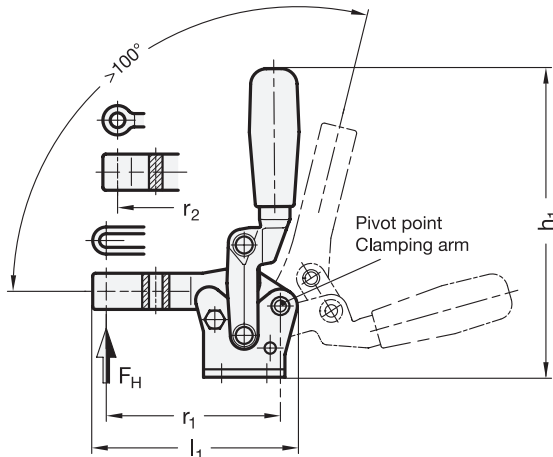
Extensive tests have shown that trouble-free function (under load) is ensured also after one million clamping cycles.

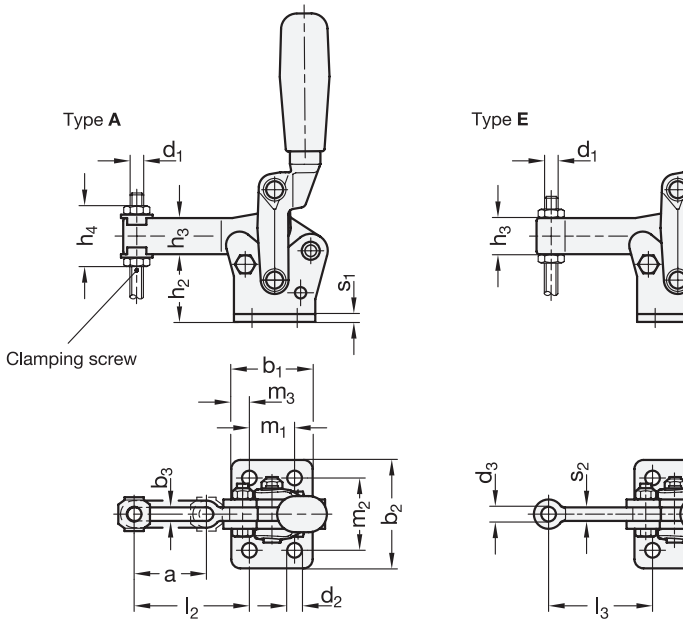
Stepped side washers are included.

- General information for toggle clamps (see page 1560)

ACCESSORY

- Clamping Screws (see page 1623 ff.)





GN 810.10-A

Description	Size	F _H in N	a	b ₁	b ₂	b ₃	d ₁	d ₂	d ₃	h ₁	h ₂	h ₃	h ₄ ≈	l ₁	l ₂	l ₃	m ₁	m ₂	m ₃	r ₁	r ₂	s ₁	s ₂	△
GN 810.10-220-A	220	2200	32	36	48	6	M 6	6.5	6.5	136.5	30	16	27	91	51	46	20	32	8	77	72	3.5	6	330
GN 810.10-440-A	440	4400	34	54	65	10	M 10	8.5	10.5	215	50	24	45	129.5	66	66	30	45	12	107	107	5	10	1000

GN 810.10-E

Description	Size	F _H in N	a	b ₁	b ₂	b ₃	d ₁	d ₂	d ₃	h ₁	h ₂	h ₃	h ₄ ≈	l ₁	l ₂	l ₃	m ₁	m ₂	m ₃	r ₁	r ₂	s ₁	s ₂	△
GN 810.10-220-E	220	2200	32	36	48	6	M 6	6.5	6.5	136.5	30	16	27	86	51	46	20	32	8	77	72	3.5	6	320
GN 810.10-440-E	440	4400	34	54	65	10	M 10	8.5	10.5	215	50	24	45	129.5	66	66	30	45	12	107	107	5	10	1200
GN 810.10-850-E	850	8500	-	75	75	-	M 12	10.5	12.5	280	67	30	-	161	-	72	55	55	10	-	133	6	12	2200
GN 810.10-1540-E	1540	15400	-	90	100	-	M 16	12.5	16.5	330	76.5	35	-	203	-	92.5	65	65	12.5	-	167	8	16	4600

